

# ZN63A(VS1-12)

## 系列户内真空断路器

### Series Indoor Vacuum Circuit Breaker

吾心求索·通享未来

得益于多年的电气产品研发和制造经验，索通电气为您提供结合了先进技术和卓越工程设计的高压开关设备；系列产品符合智能化、安全性和可靠性要求最严苛的标准。该系列能为公共配电、工业和楼宇领域提供极具成本效益的解决方案，提高竞争力。



节能型  
Energy Saving



智能化  
Intellectualization



易维护  
Easy Maintenance



安全性  
Safety

## ZN63A(VS1-12)

系列户内真空断路器

Series Indoor Vacuum Circuit Breaker



### 产品概述 General

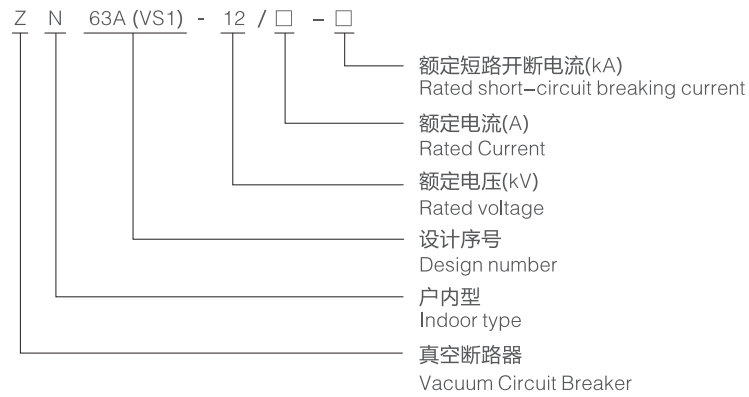
ZN63A(VS1-12)系列户内高压真空断路器为额定电压12KV，三相交流50Hz的高压户外开关设备，是引进瑞士ABB公司技术结合国内行业发展状况、生产能力开发制造的产品。该产品总体结构为头头本体与操动机构一体安装的形式，采用复合绝缘结构，无污染、无爆炸危险，绝缘水平高。

本系列产品的操动机构为弹簧储能式，可以用交流操作，亦可用手动操作。

ZN63A(VS1-12) series indoor high voltage vacuum circuit breaker is switchgear for 12KV, three phases 50Hz system. This product is designed and developed by introducing technology from Switzerland ABB company and integrating with national research and development capability. The structure is integrated with breaker body and operating mechanism, adopting composite insulating material with non pollution, non explosion danger and high insulating level.

Its operating mechanism is spring charging, operated by AC motor, also by hand.

### 型号及含义 Model and meaning



# ZN63A(VS1-12)

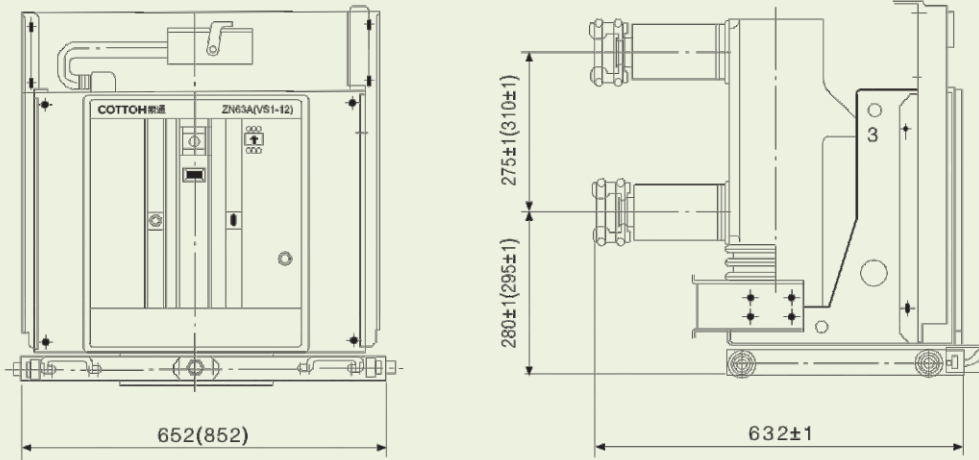
系列户内真空断路器  
Series Indoor Vacuum Circuit Breaker



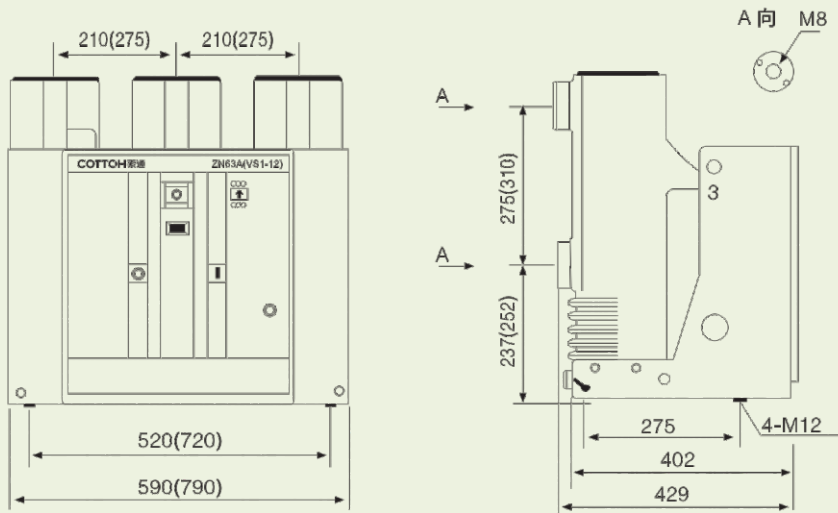
## 主要技术参数 Technical specifications

序号No.	名称 Description	单位 Unit	参数 Specifications			
1	额定电压 Rated voltage	KV	12			
2	最高工作电压 Max. operating voltage	KV	12			
3	额定电流 Rated current	A	630,1000 1250	1250,1600 2000,2500	1250,1600 2000,3150	2000,2500 3150
4	额定短路开断电流 Rated short circuit breaking current	KA	20/25	31.5	40	50
5	额定短路关合电流 Rated short circuit making current	KA	50/63	80	100	125
6	额定峰值耐受电流 Rated peak withstand current	KA	50/63	80	100	125
7	4s额定短时耐受电流 Rated short time withstand current(4s)	KA	20	31.5	40	50
8	额定绝缘水平 Rated insulation level	工频耐压(额定开断前后) Power frequency withstand voltage (before and after test of rated short circuit breaking current)	KV	42(断口isolating break48)		
		冲击耐压(额定开断前后) Lightning impulse withstand voltage (before and after test of rated short circuit breaking current)	KV	75(断口isolating break84)		
9	额定操作顺序 Rated operating sequence		分(O)—0.3 s—合分(CO)—180 s—合分(CO)			
10	机械寿命 Mechanical life	次	20000			
11	额定短路开断电流开断次数 Nos of breaking rated short circuit breaking current	次	50			
12	操动机构额定合闸电压(直流) Rated closing voltage (DC) of operating mechanism	V	110,220			
13	操动机构额定分闸电压(直流) Rated opening voltage (DC) of operating mechanism	V	110,220			
14	触头开距 Opening distance of contact	mm	11±1			
15	超行程(触头弹簧压缩长度) Over travelling distance of contact (spring compressed length)	mm	4±0.5			
16	三相分、合闸不同期性 Asynchrony of three phase opening, closing	ms	≤2			
17	触头合闸弹跳时间 Jumping time of contact at closing	ms	≤2			
18	平均分闸速度 Average closing speed	s	≤0.05			
19	平均分闸速度 Average opening speed	s	≤0.08			
20	分闸时间 Opening time	ms	≤50			
21	合闸时间 Closing time	ms	≤100			
22	各相主回路电阻 DC resistance of each phase circuit	μΩ	≤40			
23	动静触头允许磨损累积厚度 Permissible abraded thickness of contact	mm	3			

外形及安装尺寸 Outline and installation size



带底盘车的VS1真空断路器外形尺寸图  
Outline size of VS1 breaker with carrier



注：括号内为额定电流>1600  
Note: data in bracket is for breaker more than 1600A

不带底盘车的VS1真空断路器外形尺寸图  
Outline size of VS1 breaker without carrier

注：用户如有特殊要求，可与我厂协商后确定。  
Note: If user has any special requirement, please negotiate with our factory.